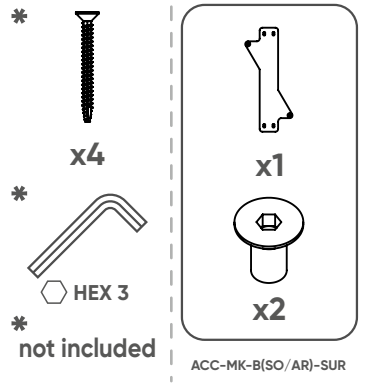
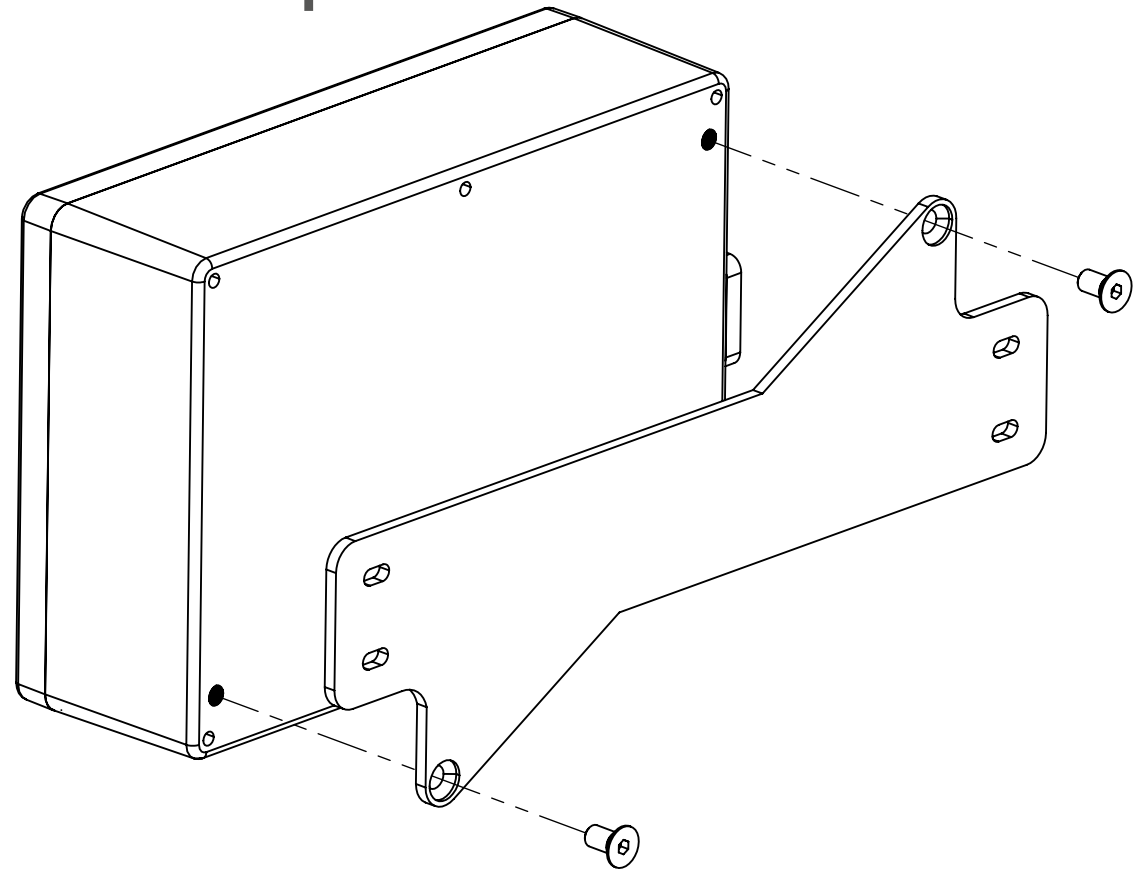


Mounting Guide

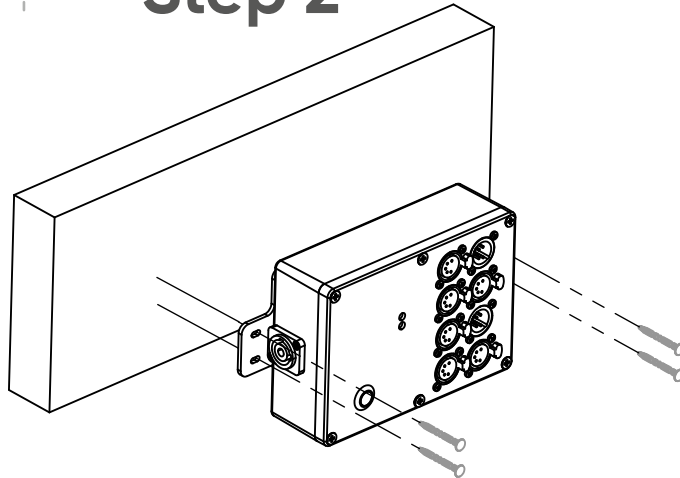
for Splitter Duo Solid

Mounting on the wall

Step 1



Step 2



Mounting Guide

for Splitter Duo Solid

Mounting on the crossbar

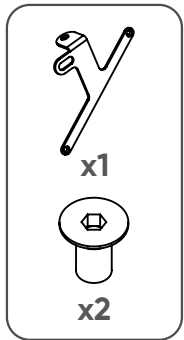


10 mm



HEX 3

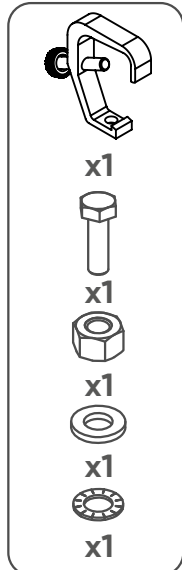
* not included



x1

x2

ACC-MK-B(SO/AR)-CLA



x1

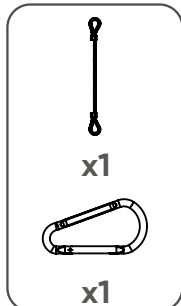
x1

x1

x1

x1

ACC-MK-CLA-C



x1

x1

ACC-MK-CLA-R

