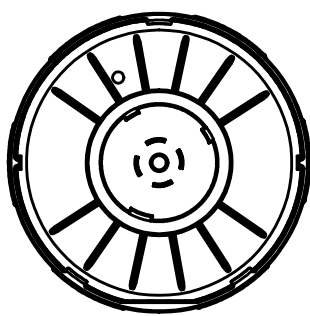


4 3 2

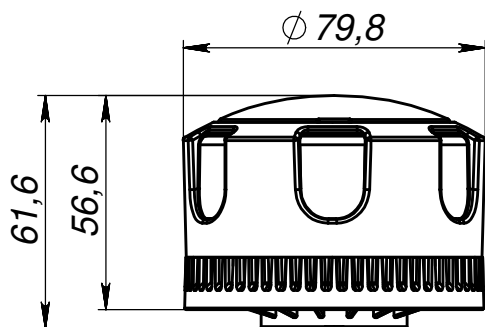
F

F



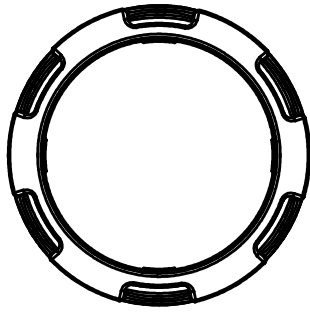
E

E



D

D



C

C

B

B

UNLESS OTHERWISE SPECIFIED:
 DIMENSIONS ARE IN MILLIMETERS
 SURFACE FINISH:
 TOLERANCES:
 LINEAR:
 ANGULAR:

FINISH:

DEBURR AND
 BREAK SHARP
 EDGES

DO NOT SCALE DRAWING

REVISION

SUNDRAX Ltd.

	NAME	SIGNATURE	DATE		
DRAWN	Andrew Underwood				
CHK'D					
APPV'D					
MFG					
Q.A					

TITLE:
QCase-Zh80
Dimensional drawing

DWG NO. **QCase-Zh80**

A4

SCALE: 1:2

SHEET 2 OF 2

A

A

4 3 2