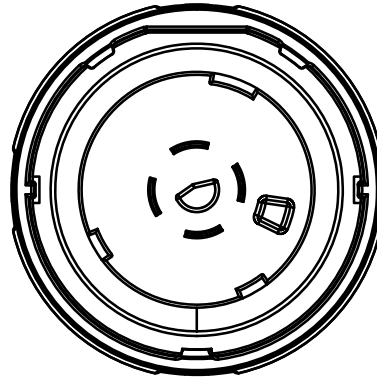


4 3 2 1

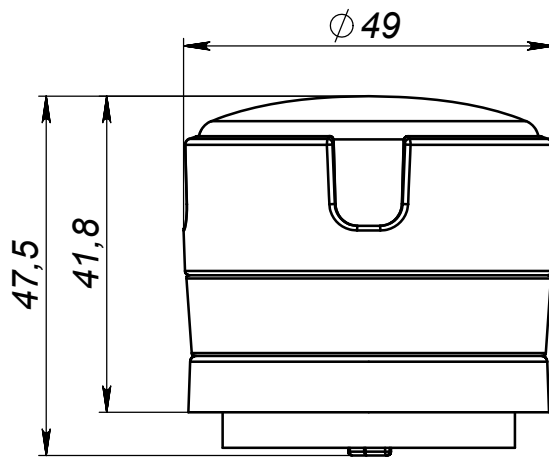
F

F



E

E

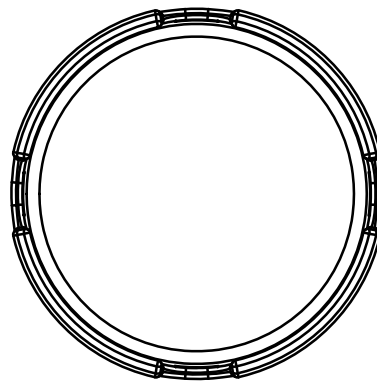


D

D

C

C



B

B

UNLESS OTHERWISE SPECIFIED:  
DIMENSIONS ARE IN MILLIMETERS  
SURFACE FINISH:  
TOLERANCES:  
LINEAR:  
ANGULAR:

FINISH:

DEBURR AND  
BREAK SHARP  
EDGES

DO NOT SCALE DRAWING

REVISION

**SUNDRAX Ltd.**

	NAME	SIGNATURE	DATE
DRAWN	Andrew Underwood		
CHK'D			
APPV'D			
MFG			
Q.A			

TITLE:  
**QCase-Zh40**  
Dimensional drawing

DWG NO.  
**QCase-SENSR-Zh40**

SCALE:1:1

SHEET 2 OF 2

A4

4 3 2 1

A

A